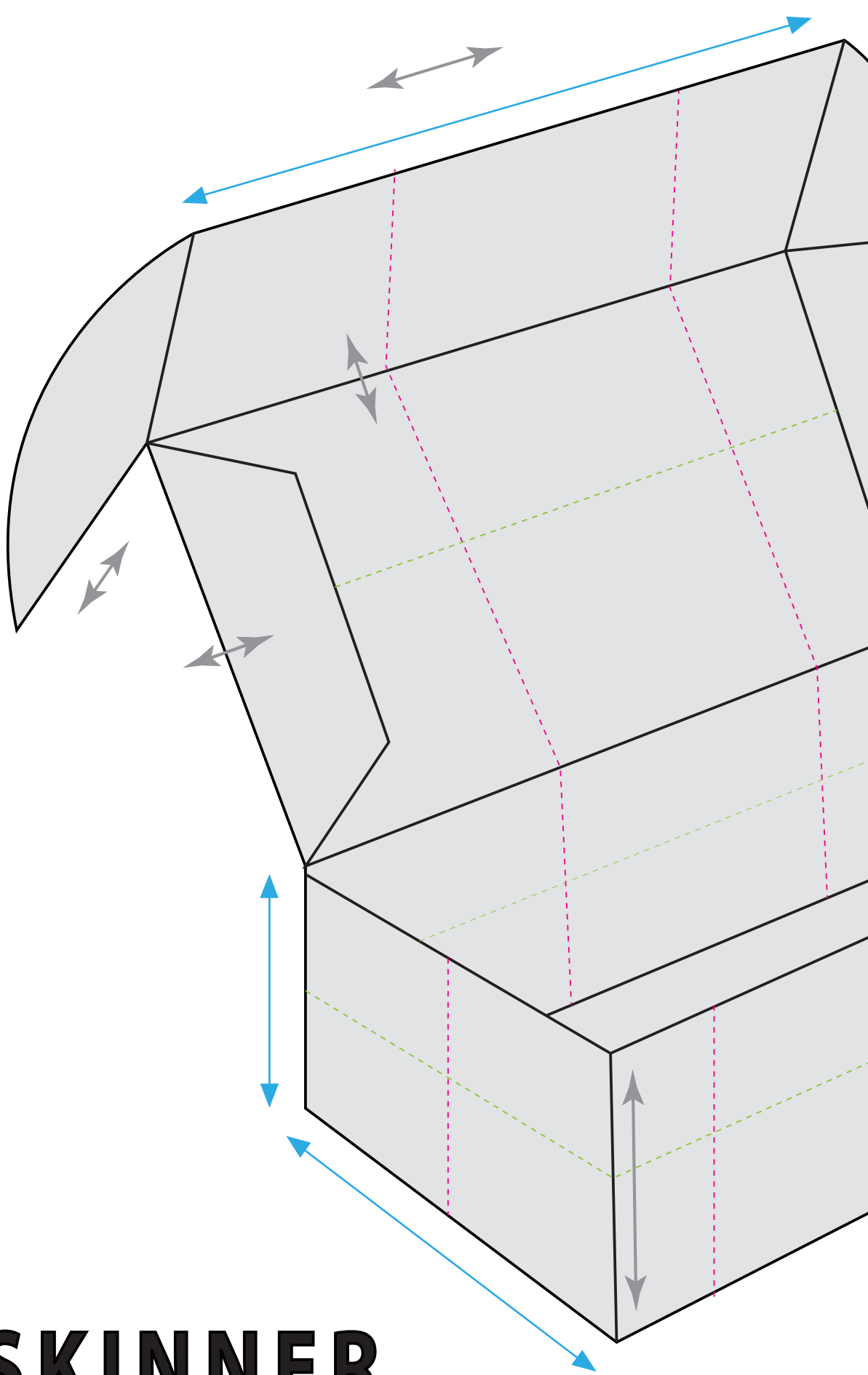


01622 749099
www.whskinner.co.uk
sales@whskinner.co.uk



WH SKINNER

CLEVER WITH CARDBOARD



Guide to FEFCO box styles

INTRODUCTION

FEFCO BOX STYLE GUIDE

This is a guide to WH Skinner's most popular box styles which are defined by FEFCO (the European Federation of Corrugated Board Manufacturers). FEFCO codes are an official system to replace long and complicated verbal descriptions of box and packaging constructions with simple codes that are internationally understood.

This document contains a selection of the most popular and cost effective box styles that can be computer generated in a matter of minutes to suit your application. If you're looking for a different style of box, there are hundreds more to choose from, so please get in touch. No matter what style of corrugated box you have in mind, we can design and produce it.

SPECIFYING YOUR MEASUREMENTS

Unless otherwise specified all dimensions are internal dimensions in mm as follows:

Length (L) x Width (W) x Height (H)

Length (L) = left to right dimension - usually the longer dimension at the opening

Width (W) = front to back dimension - usually the shorter dimension at the opening

Height (H) = top to bottom - the dimension from the top of the opening to the base

The dimensions L, W, H are specified in each description of the box construction, for some models the numerical value of W can exceed the numerical value of L.

SPECIALIST SOFTWARE

We use the very powerful Kasemake CAD software for designing our packaging and boxes which are all created bespoke to your individual requirements. This saves time and money and allows greater creativity and flexibility.

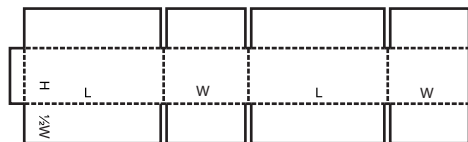
*Glued joint may be replaced with locking tabs depending on your requirements
†Suitable for light to medium weight contents

THE GUIDE

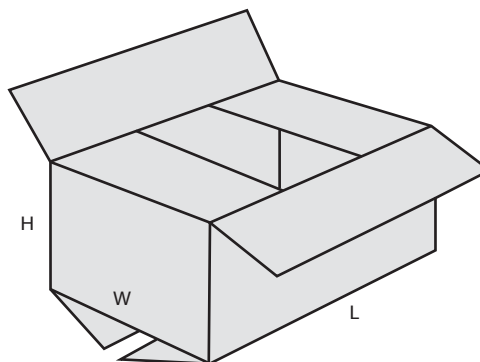
02 – Slotted-type boxes

Slotted-type boxes consist of basically one piece with a glued manufacturers joint and top and bottom flaps. They are shipped flat, ready to use and require closing using the flaps provided, and sealing with glue or tape.

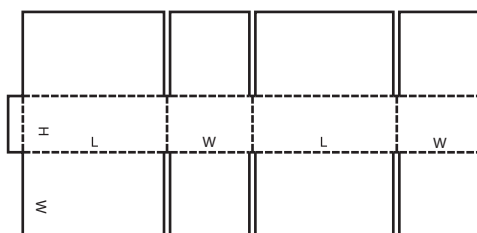
0201



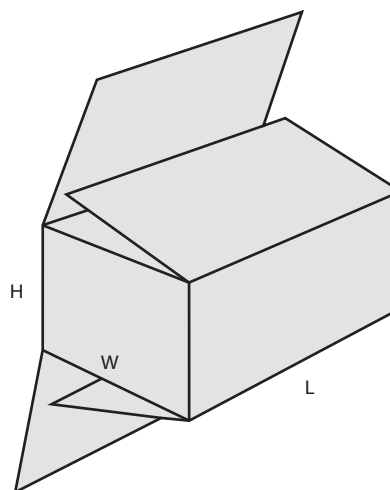
- Most popular economical box style for transit
- Supplied flat with a glued manufacturers joint
- Require sealing with glue or tape



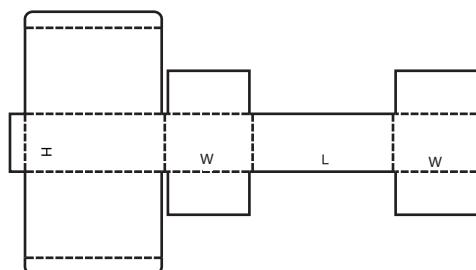
0203



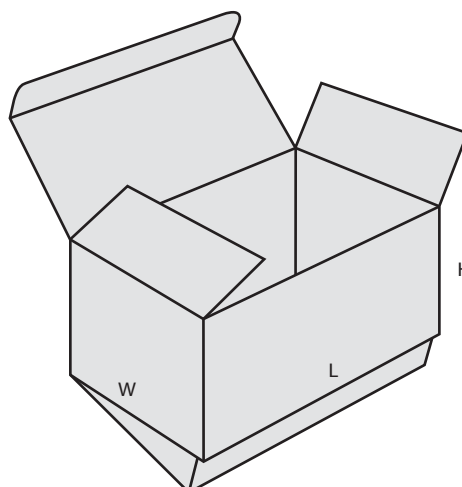
- Similar to the 0201 style, but with top and base flaps which overlap for increased strength
- Supplied flat with a glued manufacturers joint
- Require sealing with glue or tape



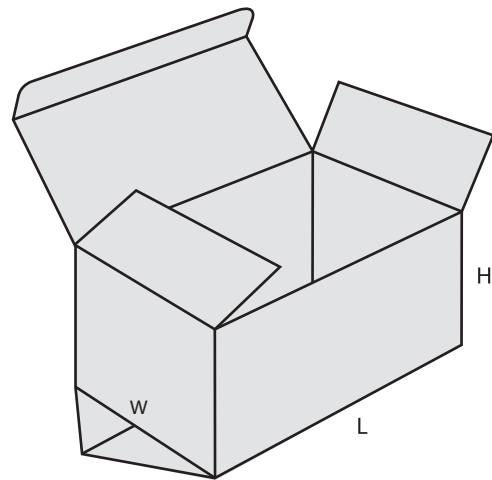
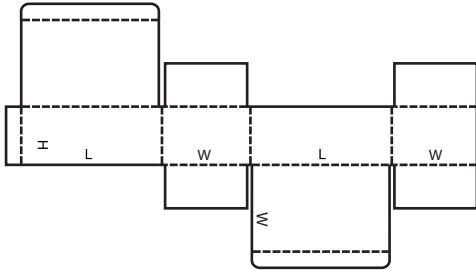
0210



- Popular retail style box
- Supplied flat with a glued manufacturers joint
- Add a locking tab to the lid and base to negate the requirement for glue or tape

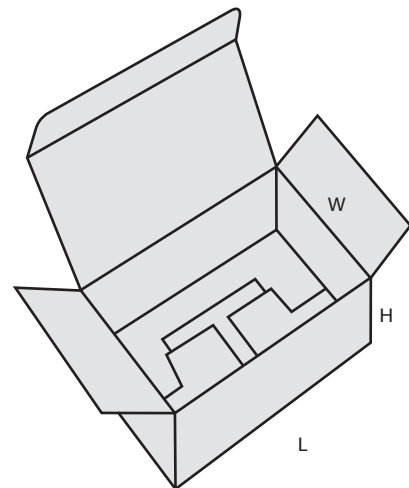
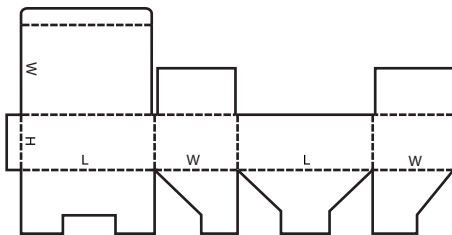


0211



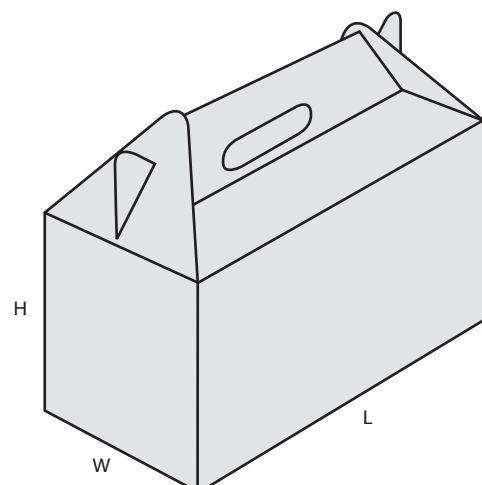
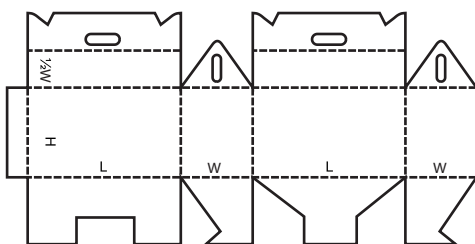
- Popular retail style box
- Supplied flat with a glued manufacturers joint*
- Add a locking tab to the lid and base to replace glue or tape

0215



- Popular retail style box with envelope locking base†
- Supplied flat with a glued manufacturers joint*
- Add a locking tab to the lid to replace glue or tape

0217

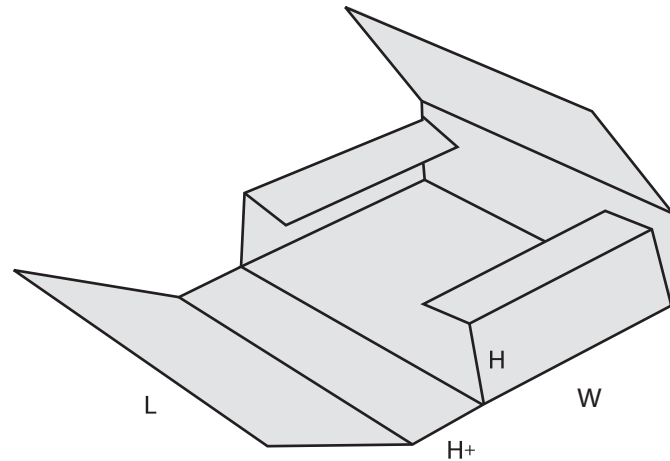
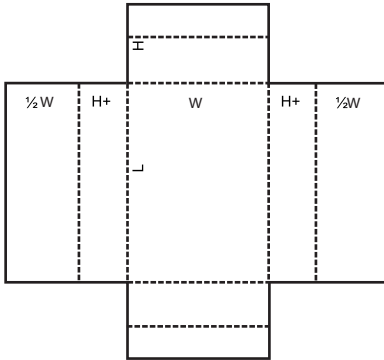


- Retail style box with carry handles and envelope locking base†
- Supplied flat with a glued manufacturers joint*
- Does not require glue or tape to seal

04-Folder-type boxes

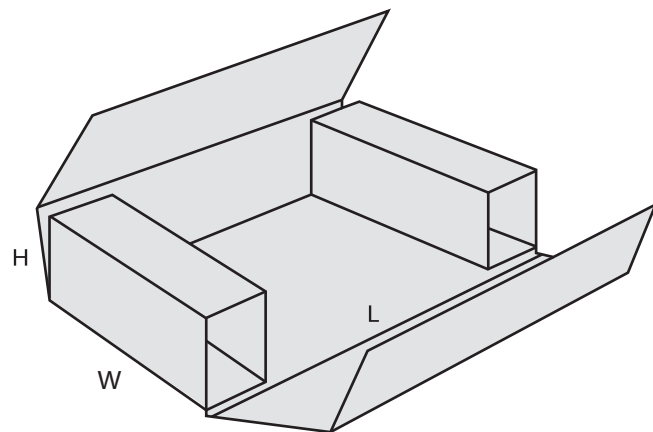
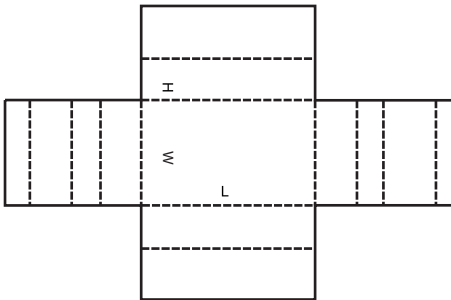
Folder-type boxes and trays consist of only one piece of board. The bottom of the box is hinged to form two or all side walls and the cover/lid. Locking tabs and handles can be incorporated in some designs.

0401



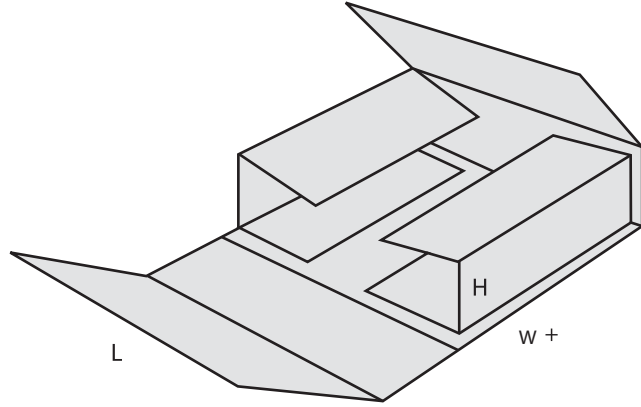
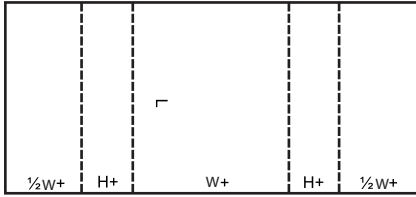
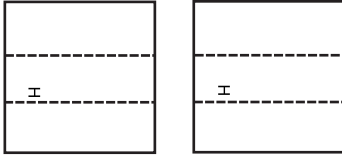
- Simple construction, ideal for lightweight items
- Supplied flat
- Require sealing with glue or tape
- Also known as “Maltese Cross” box design

0403



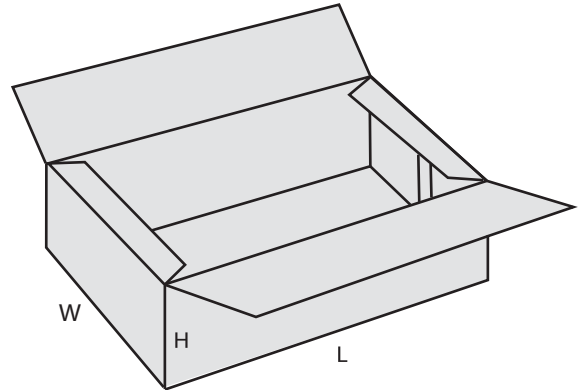
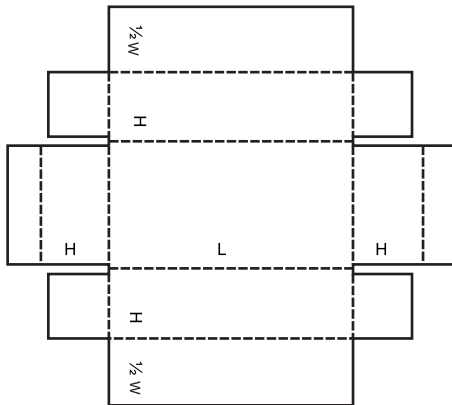
- Simple construction with additional buffers to protect contents, ideal for heavier and fragile items
- Supplied flat
- Require sealing with glue or tape

0405



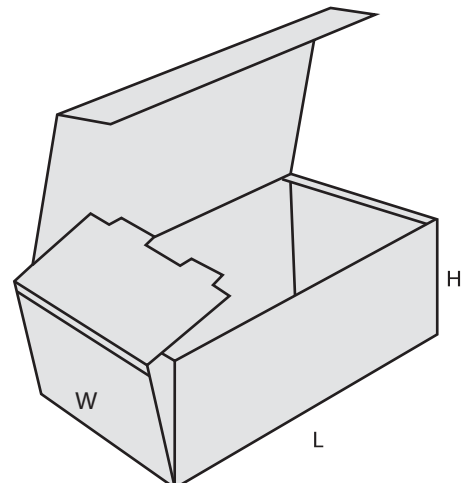
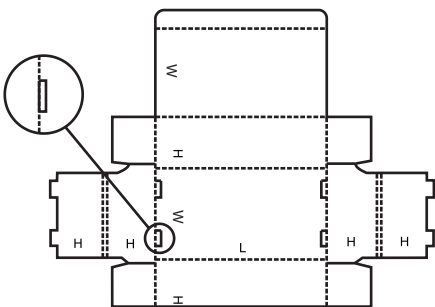
- Three part folder, economical design for bulk quantities
- Supplied flat
- Require sealing with glue or tape

0415



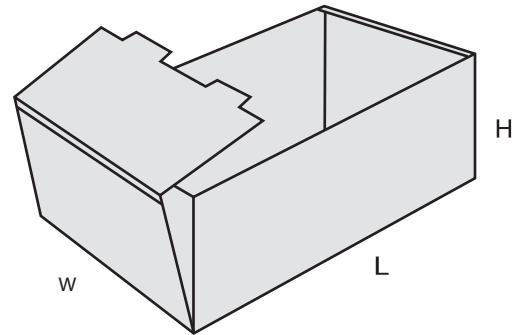
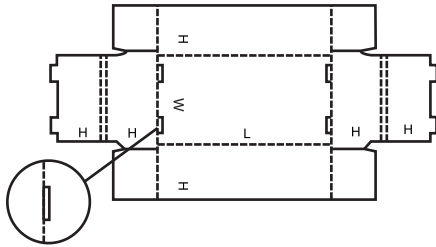
- Popular packing folder box
- Supplied flat
- Require sealing with glue or tape

0421



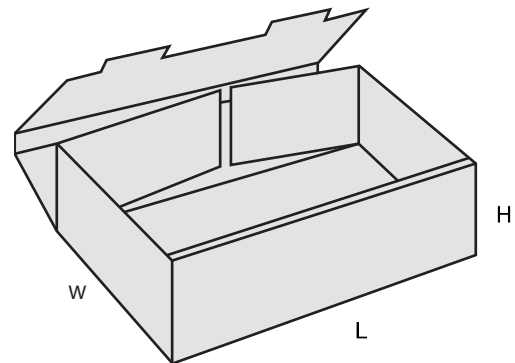
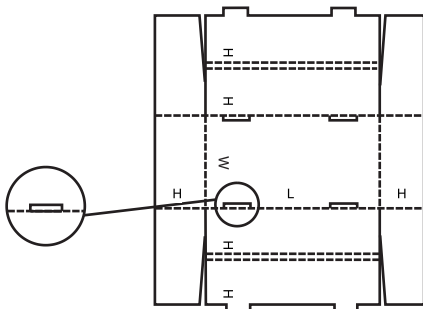
- Popular retail style box – perfect for transit and retail display
- Add header pop-up and cut-out at front for retail display
- Supplied flat, locks and tabs are integrated into the design for self-assembly

0422



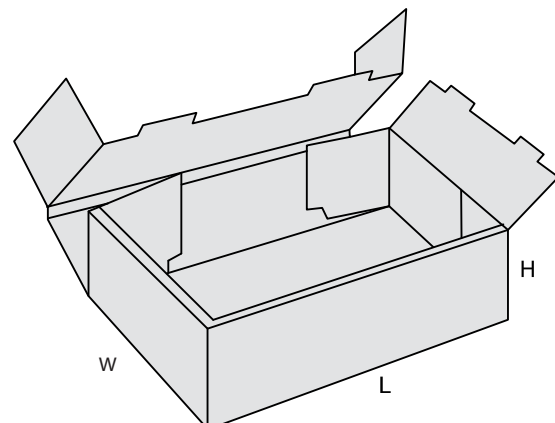
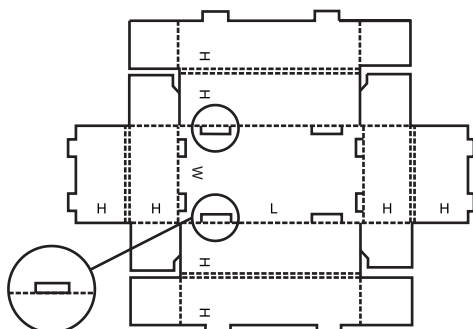
- Popular presentation style box
- Add telescopic lid for presentation box or separate header for countertop display
- Supplied flat, locks and tabs are integrated for self-assembly

0423



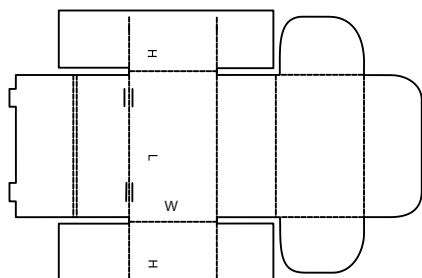
- Popular presentation style box
- Add telescopic lid for presentation box or separate header for countertop display
- Supplied flat, locks and tabs are integrated for self-assembly

0425

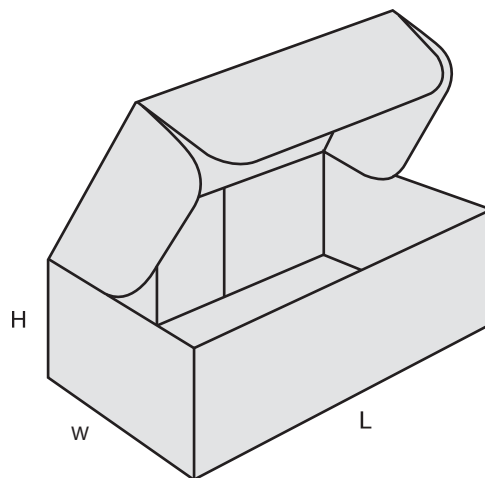


- Popular presentation style box with added corner strength
- Add telescopic lid for presentation box or separate header for countertop display
- Supplied flat, locks and tabs are integrated for self-assembly

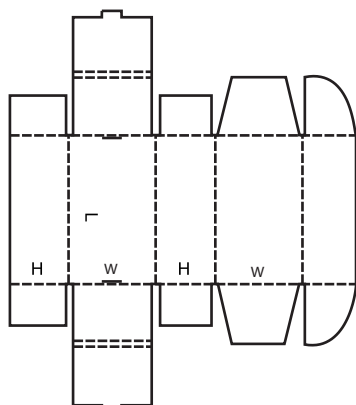
0426



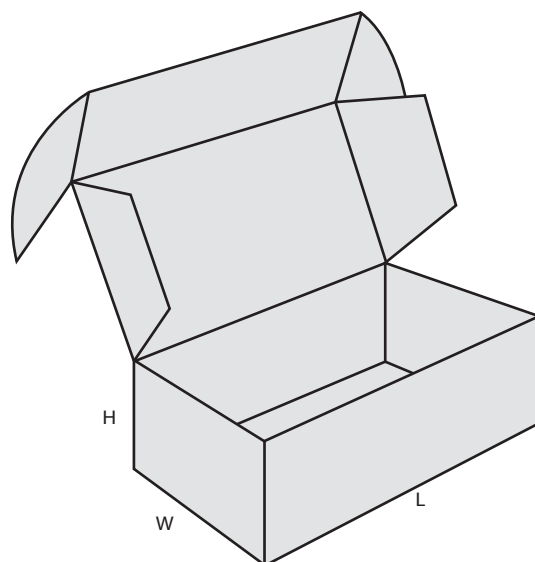
- Also known as a 'Pizza Style' box
- Quick to assemble, efficient use of board
- Supplied flat, locks and tabs are integrated for self-assembly



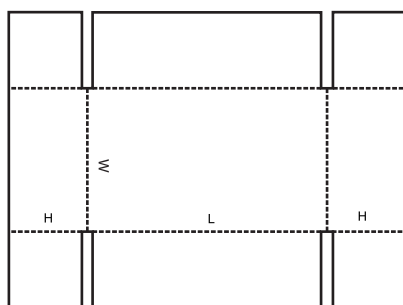
0427



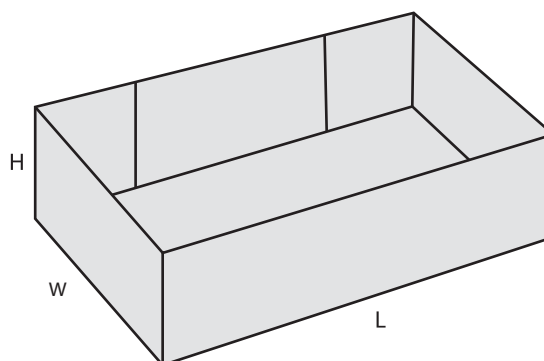
- Popular shipping/transit box for postal deliveries
- Strong and sturdy box style protects contents exceptionally well
- Supplied flat, locks and tabs are integrated for self-assembly



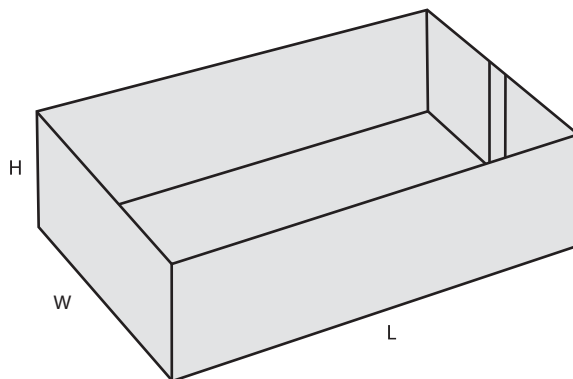
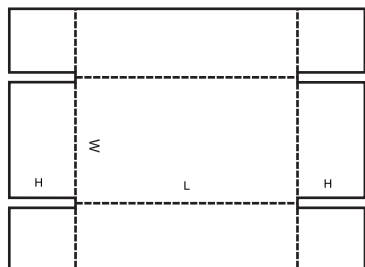
0452



- Simple, economic wrap style to provide basic protection for palletised goods
- Place underneath goods on the pallet to form the base of a pallet wrap
- Supplied flat, use glue or tape to seal at time of use

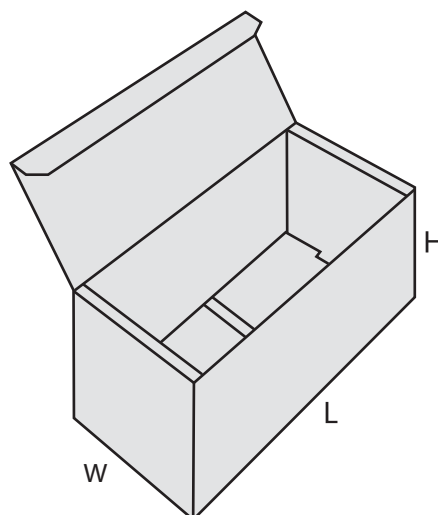
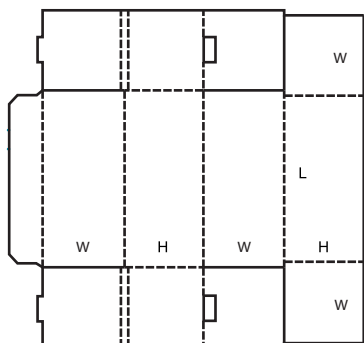


0453



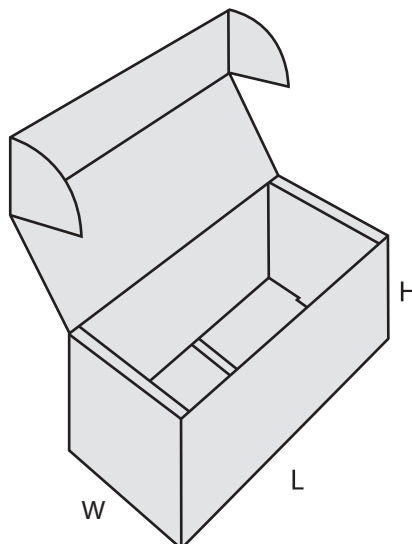
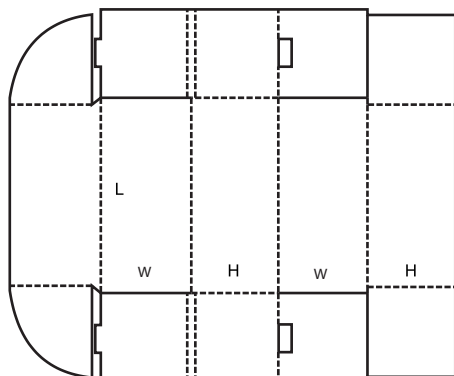
- Simple, economic wrap style to provide basic protection for palletised goods
- Place underneath goods on the pallet to form the base of a pallet wrap
- Supplied flat, use glue or tape to seal at time of use

0470



- Popular retail style box – perfect for transit and retail display
- Add header pop-up and cut-out at front for retail display
- Supplied flat, locks and tabs are integrated for self-assembly

0471



- Popular presentation style box or postal box
- Similar to 0427 but without side flaps
- Supplied flat, locks and tabs are integrated for self-assembly